

GWST-KLP Low Profile Knurled Threaded Insert

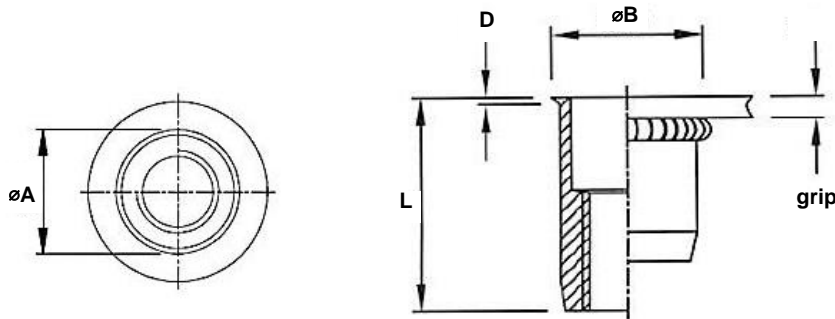
Steel · Low profile · Knurled · Open end
M4 - M10

Features

- Designed to provide load bearing threads in thin sheet materials
- Knurled body improves torque-to-turn resistance
- Low profile head allows near flush fit to application

Material

- Steel, zinc plated



Part No.	Thread Size	Grip Range		Hole Size	$\varnothing A$	$\varnothing B$	D	L
		min.	max.					
GWST-KLPM4-0530	M4	0.5	3.0	6.0	6.0	6.5	0.5	10.75
GWST-KLPM4-3050		3.0	5.0					12.75
GWST-KLPM5-0530	M5	0.5	3.0	7.0	7.0	7.5	0.5	12.0
GWST-KLPM5-3055		3.0	5.5					15.0
GWST-KLPM6-0530	M6	0.5	3.0	9.0	9.0	9.5	0.5	14.5
GWST-KLPM6-3055		3.0	5.5					16.5
GWST-KLPM8-0530	M8	0.5	3.0	11.0	11.0	11.5	0.5	16.0
GWST-KLPM8-3055		3.0	5.5					18.5
GWST-KLPM10-0835	M10	0.8	3.5	13.0	13.0	13.5	0.5	19.5

Thread Size	Max. torque	Pull-out	Torque-to-turn	Shear strength
	Nm max.	Kn	Nm	kN
M4	> ~7.5	> ~10.8	~2.7	~2.6
M5	> ~10.0	> ~12.0	~4.7	~3.5
M6	> ~19.0	> ~21.0	~7.0	~5.0
M8	> ~50.0	> ~33.0	~13.0	~6.0
M10	> ~70.0	> ~40.0	~15.0	~8.0